

# Microblasting Equipment

## PEENMATIC 1100 ZIMA-D2



Pictures may contain accessories and / or special design

### Description of equipment:

The microblasting equipment PEENMATIC 1100 ZIMA-D2 is designed for automatically and regular surface treatment of various workpieces.

The workpieces with a workpiece support are plugged onto the turning device.

The processing time is set on timers.

Four microblasting pistol units are attached on an adjustable holding device and can be adjusted individually for the processing.

The speed of the rotary drives are variable adjustable.

### Standard equipment:

- Two horizontal rotary drives with variable turning speed (5 - 12 rpm)
- Two timers
- Microblasting agent pre-accelerating system with moving injector unit
- Automatic selective microblasting agent recycling system
- Separately installed high surface microfilter unit, type IMF-3
- Four microblasting pistol units
- Adjustable holding devices for microblasting pistols
- Blow-out pistol (air-blasting pistol)

### Accessories:

(on request)

- Continuous drying system for microblasting agents, electronically continuously variable
- Funnel vibrator
- Further turning speeds on request

### Sales / Development

iepco ag  
Hofstrasse 21  
CH-8181 Höri  
Phone +41 / (0)44 861 16 16  
Fax +41 / (0)44 860 63 86  
www.iepco.ch

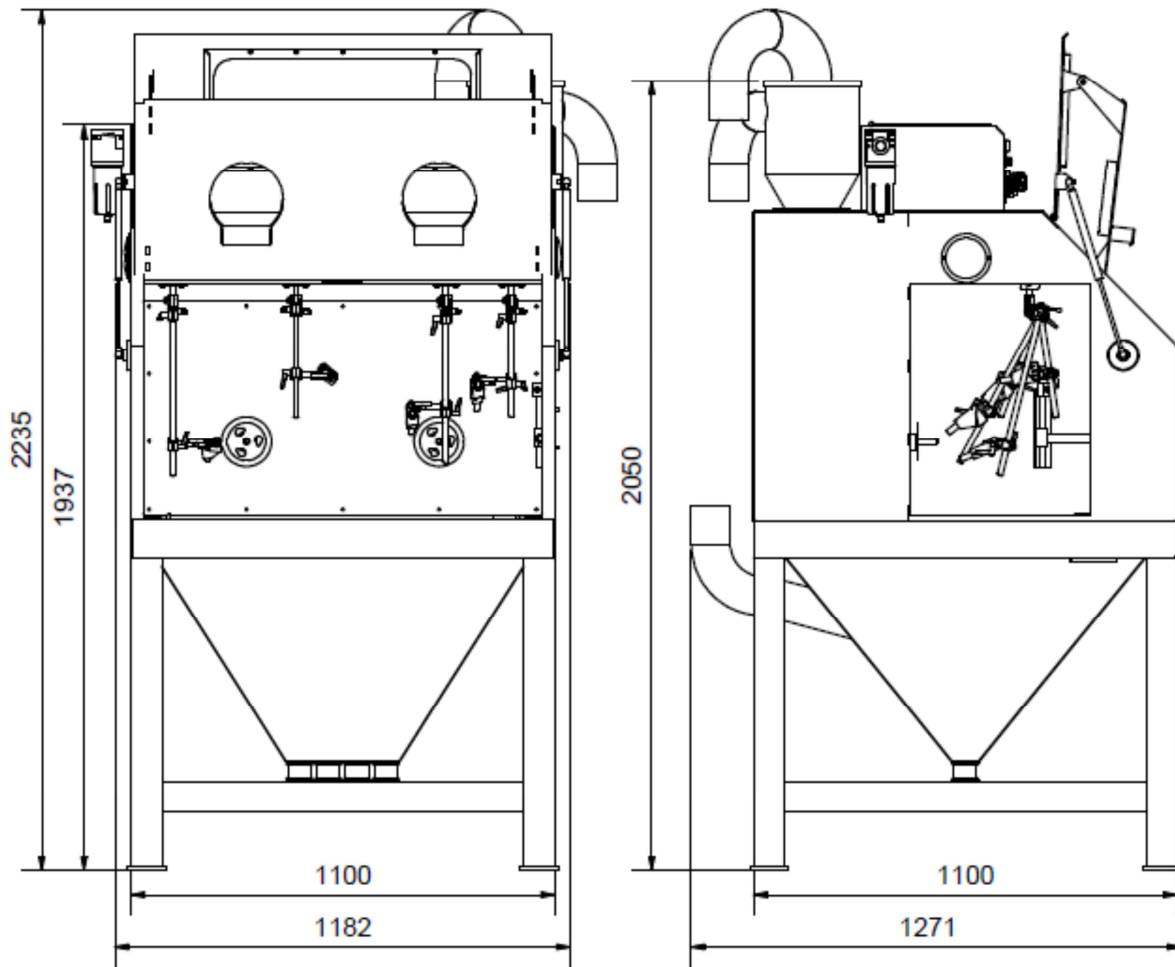
### Production Plant

iepco ag  
Steiächerweg 10  
CH-5316 Leuggern  
Phone +41 / (0)56 268 80 40  
Fax +41 / (0)56 268 80 50  
info@iepco.ch

Technologies for  
perfect surfaces

# Microblasting Equipment

## PEENMATIC 1100 ZIMA-D2



Drawings may contain accessories and / or special design

- Dimensions:** Width 1'100 x depth 1'100 x height 2'005 mm.
- Workpiece support:** Max. Ø 380 mm.
- Operating voltage:** 3 x 400 V + PE + N / 50/60 Hz
- Power consumption:** 0,7 kW / 1,75 A
- Pre-fuse:** Max. 6 A
- Compressed air connection:** On the side of the building ≥ 3/4" G  
On the side of the equipment 3/4" G  
Pressure 10 bar
- Sound level:** 75 dB(A) without microblasting  
Up to 80 dB(A) with microblasting with 3 bar
- Air consumption:** Approx. 1'000 - 5'000 litres / minute

All data are given without liability on our part. We reserve the right to modify constructional design at any time.

### Sales / Development

iepcO ag  
Hofstrasse 21  
CH-8181 Höri  
Phone +41 / (0)44 861 16 16  
Fax +41 / (0)44 860 63 86  
www.iepcO.ch

### Production Plant

iepcO ag  
Steiächerweg 10  
CH-5316 Leuggern  
Phone +41 / (0)56 268 80 40  
Fax +41 / (0)56 268 80 50  
info@iepcO.ch