

Microblasting Equipment PEENMATIC 950 ZIDA-Sat



Pictures may contain accessories and / or special design

Description of equipment:

The microblasting equipment PEENMATIC 950 ZIDA-SAT is designed for an automatic and consistent surface treatment of cylindrical workpieces.

Cylindrical workpieces up to a maximum \varnothing of 80 mm x height 150 mm can thus be microblasted automatically and evenly.

Three microblasting pistol units are installed on a vertical axis and they move with the adjusted speed over the specified length of stroke during the microblasting process.

Standard equipment:

- Siemens LOGO! text display
- Microblasting agent pre-accelerating system with moving injector
- Automatic, selective microblasting agent recycling system
- Integrated high surface microfilter system
- Satellite table with 8 satellites
- 3 microblasting pistol units
- Safety light barrier

Accessories:

(on request)

- Linear unit with 150 mm lifting
- Pneumatic air lock
- Continuous drying system for microblasting agents

Sales / Development

iepco ag
Hofstrasse 21
CH-8181 Höri
Phone +41 / (0)44 861 16 16
Fax +41 / (0)44 860 63 86
www.iepco.ch

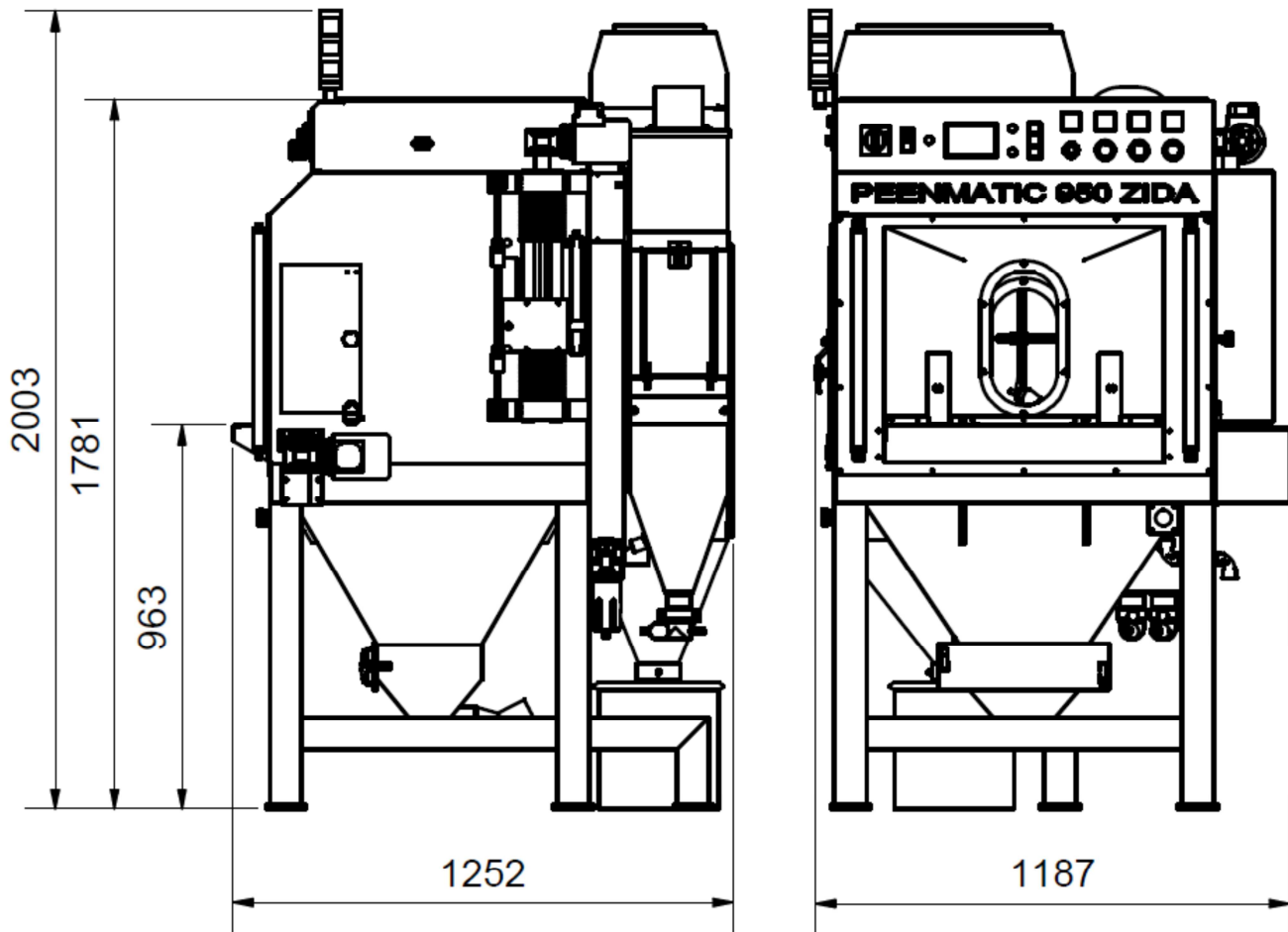
Production Plant

iepco ag
Steiächerweg 10
CH-5316 Leuggern
Phone +41 / (0)56 268 80 40
Fax +41 / (0)56 268 80 50
info@iepco.ch

Technologies for
perfect surfaces

Microblasting Equipment

PEENMATIC 950 ZIDA-Sat



Drawings may contain accessories and / or special design

Technical data

Dimensions:	Width 1'190 x depth 1'252 x height 2'005 mm
Operating voltage:	3 x 400 V + PE + N / 50/60 Hz
Power consumption:	1 kW
Control safety:	Max. 16 A
Compressed air connection:	On the side of the building $\geq 1''$ G On the side of the equipment 1'' G Max. inlet pressure 0 - 10 bar
Sound level:	75 dB(A) without microblasting
Air consumption:	Approx. 2'000 - 5'000 litres / minute

All data are given without liability on our part. We reserve the right to modify constructional design at any time.

Sales / Development

iepco ag
Hofstrasse 21
CH-8181 Höri
Phone +41 / (0)44 861 16 16
Fax +41 / (0)44 860 63 86
www.iepco.ch

Production Plant

iepco ag
Steiächerweg 10
CH-5316 Leuggern
Phone +41 / (0)56 268 80 40
Fax +41 / (0)56 268 80 50
info@iepco.ch